

# Bruciatori di gasolio

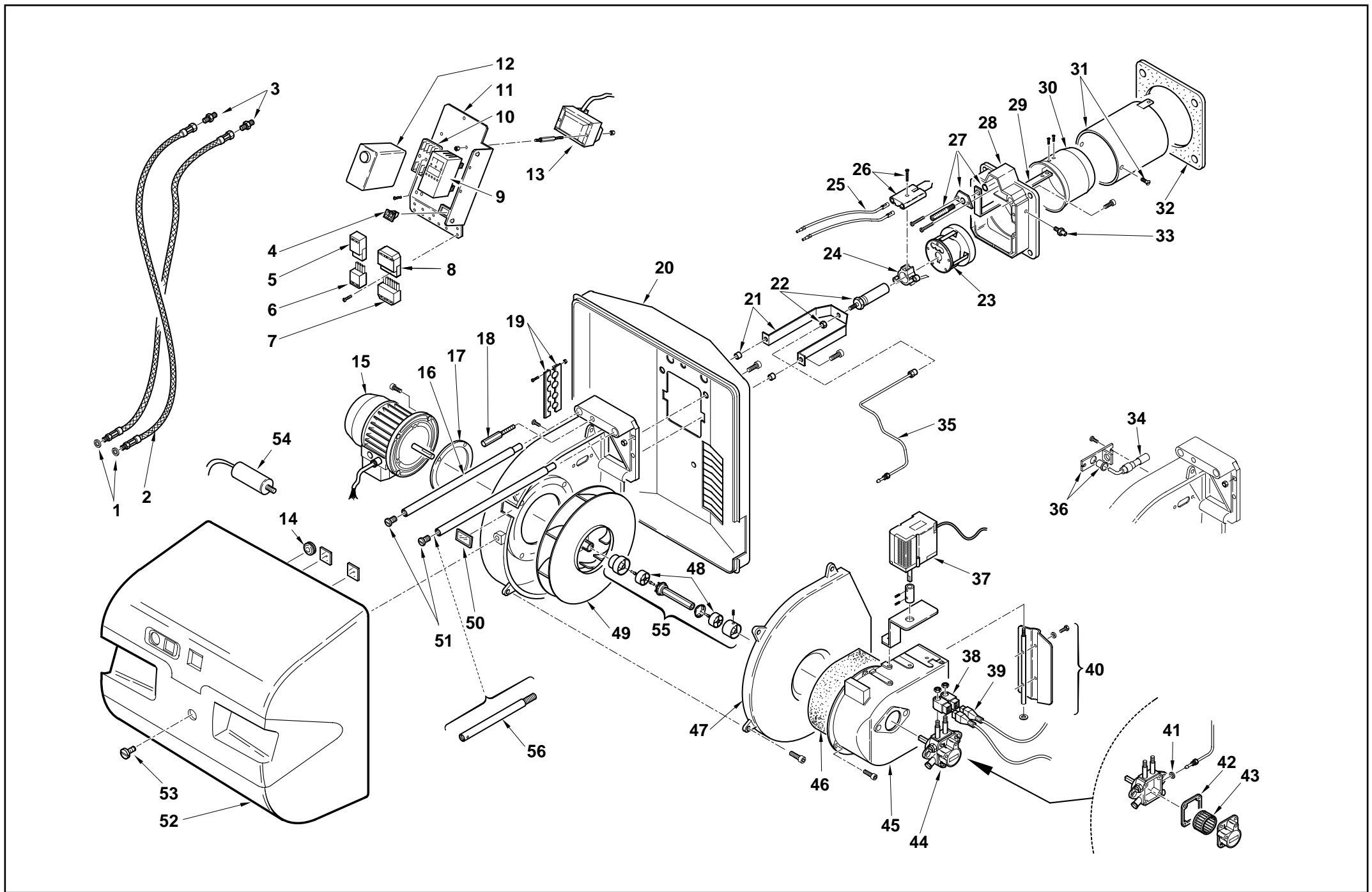
## Light oil burners

### Brûleurs fioul domestique

### Ölbrenner

Funzionamento bistadio  
Two-stage operation  
Fonctionnement à deux allures  
Zweistufiger Betrieb

COD.	MOD.	TYP.
<b>3895110</b>	<b>RL 22</b> <small>BLU</small>	<b>964 T</b>
<b>3895210</b>	<b>RL 32</b> <small>BLU</small>	<b>965 T</b>



N.	COD.	3895110-964 T	3895210-965 T	DESCRIZIONE	DESCRIPTION	DESCRIPTION	BESCHREIBUNG	MATRICOLA BRUCIATORE BURNER SERIAL NUMBER MATRICULE BRULEUR BRENNER KENN-NUMMER
1	3007079	●	●	GUARNIZIONE	SEAL	RONDELLE	METALLDICHTUNG	
2	3012192	●	●	TUBO FLESSIBILE	FLEXIBLE OIL LINE	FLEXIBLE	SCHLAUCH	
3	3009068	●	●	RACCORDO	CONNECTOR	MAMELON	NIPPEL	
4	3003770	●	●	INTERRUTTORE	SWITCH	INTERRUPTEUR	SCHALTER	
5	3006949	●	●	PRESA 4 POLI	4 POLE SOCKET	PRISE 4 POLES	STECKERBUCHSE 4 POLEN	
6	3006948	●	●	SPINA 4 POLI	4 POLE PLUG	FICHE 4 POLES	STECKER 4 POLEN	
7	3006937	●	●	SPINA 7 POLI	7 POLE PLUG	FICHE 7 POLES	STECKER 7 POLEN	
8	3006938	●	●	PRESA 7 POLI	7 POLE SOCKET	PRISE 7 POLES	STECKERBUCHSE 7 POLEN	
9	3003786	●	●	STATUS	STATUS	STATUS	STATUS	
10	3003596	●	●	ZOCCOLO	CONTROL BOX BASE	SOCLE	SOCKEL	
11	3003783	●	●	SUPPORTO	SUPPORT	SUPPORT	HALTER	
12	3003584	●	●	APPARECCHIATURA	CONTROL BOX	BOITE DE CONTROL	STEUERGERÄT	
13	3003785	●	●	TRASFORMATORE	TRANSFORMER	TRANSFORMATEUR	ZÜNDTRANSFORMATOR	
14	3007627	●	●	MEMBRANA	MEMBRAN	MEMBRANE	MEMBRANE	
15	3003771	●	●	MOTORE	MOTOR	MOTEUR	MOTOR	
16	3003777	●	●	PERNO	BAR	GLISSIERE	BOLZEN	
17	3012134	●	●	DISTANZIALE	SPACER	ENTRETOISE	DISTANZSTÜCK	
18	3003778	●	●	ALBERINO	SHORT SHAFT	AXE	KLEINWELLE	
19	3003780	●	●	PASSACAVO	FAIRLEAD	PASSE-CABLE	KABELDURCHGANG	
20	3003788	●	●	SCUDO ANTERIORE	FRONT SHIELD	BOUCLIER AVANT	VORDERES SCHILD	
21	3012718	●	●	SUPPORTO	SUPPORT	SUPPORT	HALTER	
22	3012719	●	●	PORTASPRUZZO	NOZZLE HOLDER	PULVERISATEUR	DÜSENSTOCK	
23	3012720	●	●	ELICA	DIFFUSER DISC	ACCROCHE FLAMME	STAUSCHEIBE	
23	3012721	●	●	ELICA	DIFFUSER DISC	ACCROCHE FLAMME	STAUSCHEIBE	
24	3007466	●	●	SUPPORTO	SUPPORT	PORTE ACCROCHEUR	HALTERUNG	
25	3012722	●	●	COLLEGAMENTO A.T.	H.T. CABLE	CABLE H.T.	ZÜNDKABEL	
26	3007617	●	●	ELETTRODO	ELECTRODE	ELECTRODE PORCELAINE	ELEKTRODE	
27	3003797	●	●	GRUPPO REGOLATORE	CONTROL DEVICE	GROUPE OBTURATION	DRUCHREGULIERUNG	
28	3003798	●	●	FRONTONE	FRONT PIECE	FACADE	VORDERTEIL	
29	3012723	●	●	SQUADRETTA	SQUARE	EQUERRE-SUPPORT	HALTER	
29	3012724	●	●	SQUADRETTA	SQUARE	EQUERRE-SUPPORT	HALTER	
30	3012145	●	●	IMBUTO FIAMMA	END CONE	EMBOUT GUEULARD	FLAMMENROHR	
30	3012726	●	●	OTTURATORE	SHUTTER	OBTURATEUR	SCHIEBER	
31	3012727	●	●	IMBUTO FIAMMA	END CONE	EMBOUT GUEULARD	FLAMMENROHR	
31	3012728	●	●	IMBUTO FIAMMA	END CONE	EMBOUT GUEULARD	FLAMMENROHR	
32	3003817	●	●	SCHERMO	FLANGE GASKET	ECRAN THERMIQUE	FLANSCHDICHTUNG	
33	3005447	●	●	GRUPPO MISURAZIONE	TEST POINT	PRISE DE PRESSION	MESSNIPPEL	
34	3012135	●	●	SENSORE FIAMMA UV	UV FLAME DETECTOR	DETECTEUR FLAMME UV	UV FLAMMENFÜHLER	
35	3012729	●	●	TUBO	TUBE	TUYAUTERIE	DRUCKROHR	
36	3012730	●	●	SUPPORTO UV	UV SUPPORT	SUPPORT UV	UV HALTER	
37	3012544	●	●	SERVOMOTORE	SERVOMOTOR	SERVOMOTEUR	STELLMOTOR	
38	3003594	●	●	BOBINA	COIL	BOBINE	MV SPULE	
39	3003827	●	●	COLLEGAMENTO	LEAD	CABLE DE CONNEXION	VERBINDUNG	
40	3012508	●	●	GRUPPO SERRANDA	AIR DAMPER ASSEMBLY	GROUPE VOLET AIR	LUFTKLAPPE	≤ 02412000300

N.	COD.			DESCRIZIONE	DESCRIPTION	DESCRIPTION	BESCHREIBUNG	MATRICOLA BRUCIATORE BURNER SERIAL NUMBER MATRICULE BRULEUR BRENNER KENN-NUMMER
		3895110-964 T	3895210-965 T					
40	3013168	•		GRUPPO SERRANDA	AIR DAMPER ASSEMBLY	GROUPE VOLET AIR	LUFTKLAPPE	≥ 02412000301
40	3013169	•	•	GRUPPO SERRANDA	AIR DAMPER ASSEMBLY	GROUPE VOLET AIR	LUFTKLAPPE	≥ 02412000301
41	3007077	•	•	GUARNIZIONE	SEAL	RONDELLE	METALLDICHTUNG	
42	3012731	•	•	GUARNIZIONE	SEAL	JOINT COUVERCLE POMPE	DICHTUNG	
43	3003082	•	•	FILTRO	FILTER	FILTRE	PUMPENFILTER	
44	3012732	•	•	POMPA	PUMP	POMPE	PUMPE	
45	3012733	•	•	BOCCA D'ASPIRAZIONE	AIR INTAKE	BOITIER D'ASPIRATION	ANSAUGÖFFNUNG	
46	3003830	•	•	FONOASSORBENTE	SOUND DAMPING	INSONORISANT	GERÄUSCHDÄMMUNG	
47	3003829	•	•	GUSCIO	HALF SHELL	COUVERCLE	HAUBE	
48	3012622	•	•	DISCO ELASTICO	DRIVE DISK	DISQUE ELASTIQUE	KUPPLUNGSSCHEIBE	
49	3003761	•	•	GIRANTE	FAN	TURBINE	GEBLÄSERAD	
50	3003763	•	•	VISORE	INSPECTION WINDOW	WISEUR	SICHTFENSTER	
51	3003776	•	•	VITE	SCREW	VIS	SCHRAUBE	
52	3003765	•	•	COFANO	COVER	COFFRET	VERKLEIDUNG	
53	3003766	•	•	VITE	SCREW	VIS	SCHRAUBE	
54	3003767	•	•	CONDENSATORE	CONDENSER	CONDENSATEUR	KONDENSATOR	
55	3003758	•	•	GRUPPO GIUNZIONE	DRIVE COUPLING	ACCOUPLLEMENT	KUPPLUNG	
56	3003764	•	•	PROLUNGA PERNO	BAR EXTENSION	RALLONGE DE GLISSIERE	VERLÄNGERUNG	



RIELLO S.p.A.  
Via degli Alpini 1  
I - 37045 Legnago (VR)  
Tel.: +39.0442.630111 Fax: +39.0442.630375  
[http:// www.rielloburners.com](http://www.rielloburners.com)